

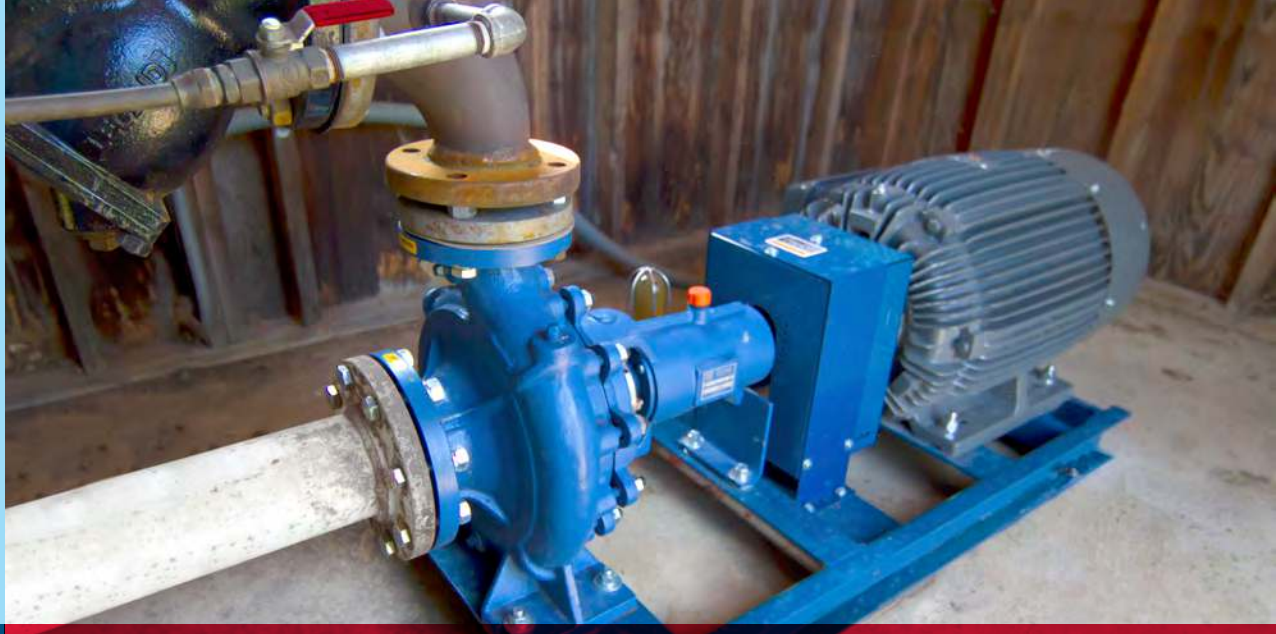


VG & VGH SERIES

*High Efficiency Standard
Centrifugal Pumps*



The Pump People®



VG & VGH SERIES

High Efficiency Standard Centrifugal Pumps

Gorman-Rupp VG & VGH Series pumps are the right pump for the job when you need to reliably move fluids with maximum efficiency.

VG Series are general purpose pumps used for handling clean fluids. Pumps are available with gray iron casing and impeller, and are suitable for a variety of applications.

VGH Series are heavy-duty pumps used on a variety of applications, from clean fluids to

dirty liquids and mild abrasives. The pumps feature a standard ductile iron casing, gray iron impeller with replaceable iron wear rings and a tungsten carbide/silicon carbide cartridge mechanical seal with fluorocarbon elastomers. VGH pumps are supplied with a heavy-duty oil lubricated bearing pedestal for V-belt driving or can be mounted to electric motors if needed.

Value

VG & VGH Series pumps boast some of the lowest lifecycle costs in the industry. Because of the quality manufacturing and testing that goes into every Gorman-Rupp product, you benefit from minimal service interruptions and some of the lowest maintenance requirements in the industry.

Peace of Mind

At Gorman-Rupp, we don't just say our pumps are reliable. We guarantee every part and working component of a VG or VGH Series pump for 12 months. With Gorman-Rupp, reliable performance is always guaranteed.

Parts and Service

When you need a replacement part for your pump, you'll have it fast. With tens of thousands of genuine Gorman-Rupp parts and pumps at our disposal, we fill and ship 99% of parts orders within 24 hours. Should your VG or VGH Series pump ever require service, our worldwide network of factory-trained distributors is ready to quickly respond to your needs. With just one number to call for parts and service, it's easy and convenient to keep your equipment performing as it should.



Gorman-Rupp VG & VGH Series centrifugal pumps are engineered for maximum operating efficiency and minimal energy consumption.

GORMAN-RUPP VG & VGH SERIES

The Right Pump For The Job

Specifications

Pump Discharge Size: 1¼" (30 mm) to 8" (200 mm)

Max. Capacity: 4900 GPM (309.1 lps)

Max. Head: 500' (152.4 m)

Max. Solids: 1" (25.4 mm)

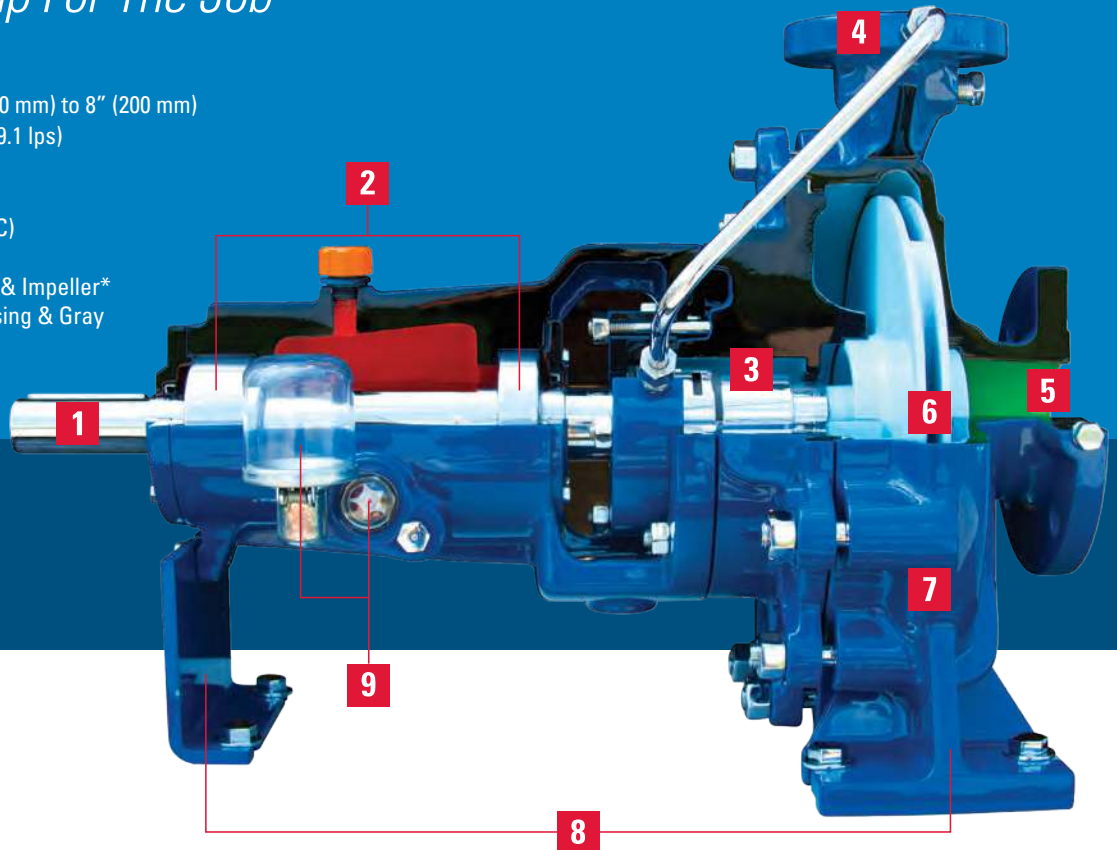
Max Temperature: 160°F (71°C)

Materials of Construction:

VG Models: Gray Iron Casing & Impeller*

VGH Models: Ductile Iron Casing & Gray Iron Impeller*

*Stainless steel impeller available.
Consult factory for details.



01 | Durable Shaft

Wear resistant stainless steel shaft is sized for full drive output.

02 | Dependable Ball Bearings

Dual, oil lubricated ball bearings ensure shaft rotation with minimal friction.

03 | Long-Life Mechanical Seal

Heavy-duty, long-life mechanical seals are standard on VG and VGH Series pumps.

04 | Discharge Outlet

05 | Suction Inlet

06 | High Efficiency Enclosed Impeller

VG and VGH Series pumps are equipped with an enclosed, gray iron impeller that features double curvature vanes for highly efficient, energy saving operation. Stainless steel impellers are available for unique applications. Consult factory for details.

07 | Heavy-Duty Casing

VG and VGH Series pump casings include dynamic positioning vanes on the volute entrance to guide fluids directly in the eye of the impeller. This increases efficiency and overall cost savings. VG Series pumps are constructed of gray iron and VGH Series models feature ductile iron.

08 | Heavy-Duty Pedestal

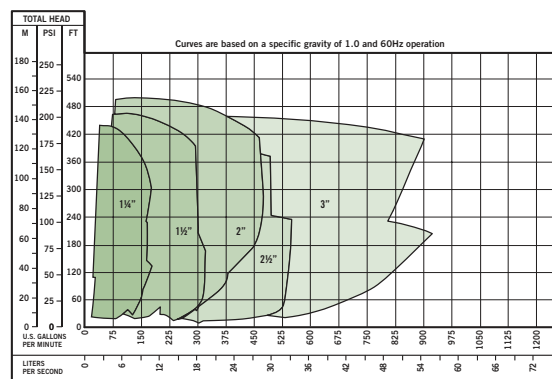
09 | Sight Gauges



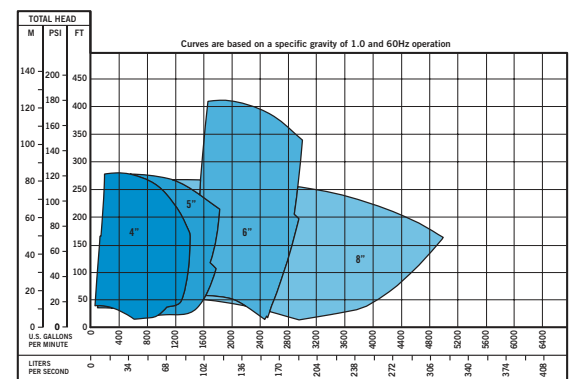
VG and VGH Series pumps are available with a suction strainer, a hand primer, or can be fitted with alternative gaskets and mechanical seals for pumping a variety of fuel and petroleum-based liquids.

Pump Performance Data

1¼" to 3" VG & VGH Models



4" to 8" VG & VGH Models



FLUID-HANDLING EQUIPMENT DESIGNED WITH YOUR NEEDS IN MIND



★ Manufacturing Facilities

● Distribution Centers

Gorman-Rupp USA
Mansfield, Ohio, USA

Gorman-Rupp Canada
St. Thomas, Ontario, Canada

Gorman-Rupp Europe
Waardenburg, Netherlands
Namur, Belgium

Gorman-Rupp Africa
Cape Town, South Africa
Durban, South Africa
Johannesburg, South Africa (Headquarters)

Distribution Centers

Dubai, United Arab Emirates
Grand Prairie, Texas, USA

Engineering and manufacturing superiority has been the hallmark of Gorman-Rupp since our inception in 1933. Today we bring our products to life in some of the most efficient, modern and state-of-the-art manufacturing facilities in the world. Gorman-Rupp has a selection of nearly 3,000 pump models, and our world-class team of distributors has worked closely with thousands of end users around the world. We have the proven expertise and the resources to specify, manufacture, test and service your pump, and to ensure reliable performance for the long haul.



GORMAN-RUPP PUMPS

P.O. BOX 1217

MANSFIELD, OHIO 44901-1217 | USA
TEL: 419.755.1011 | FAX: 419.755.1251

GRPUMPS.COM



The Pump People®

Product information is subject to change; consult factory for details. All images are for illustrative purposes only. Actual product may vary from printed representation.
© 2008-2020 The Gorman-Rupp Company. All rights reserved. Printed in the USA